

Трапы душевые Confluo Frameless Line, Confluo Fix Line, Confluo Slim Line, Confluo WaLL drain

Технические характеристики

По вопросам продаж и поддержки обращайтесь:

Алматы (7273)495-231
Ангарск (3955)60-70-56
Архангельск (8182)63-90-72
Астрахань (8512)99-46-04
Барнаул (3852)73-04-60
Белгород (4722)40-23-64
Благовещенск (4162)22-76-07
Брянск (4832)59-03-52
Владивосток (423)249-28-31
Владикавказ (8672)28-90-48
Владимир (4922)49-43-18
Волгоград (844)278-03-48
Вологда (8172)26-41-59
Воронеж (473)204-51-73
Екатеринбург (343)384-55-89

Иваново (4932)77-34-06
Ижевск (3412)26-03-58
Иркутск (395)279-98-46
Казань (843)206-01-48
Калининград (4012)72-03-81
Калуга (4842)92-23-67
Кемерово (3842)65-04-62
Киров (8332)68-02-04
Коломна (4966)23-41-49
Кострома (4942)77-07-48
Краснодар (861)203-40-90
Красноярск (391)204-63-61
Курск (4712)77-13-04
Курган (3522)50-90-47
Липецк (4742)52-20-81

Магнитогорск (3519)55-03-13
Москва (495)268-04-70
Мурманск (8152)59-64-93
Набережные Челны (8552)20-53-41
Нижний Новгород (831)429-08-12
Новокузнецк (3843)20-46-81
Ноябрьск (3496)41-32-12
Новосибирск (383)227-86-73
Омск (3812)21-46-40
Орел (4862)44-53-42
Оренбург (3532)37-68-04
Пенза (8412)22-31-16
Петрозаводск (8142)55-98-37
Псков (8112)59-10-37
Пермь (342)205-81-47

Ростов-на-Дону (863)308-18-15
Рязань (4912)46-61-64
Самара (846)206-03-16
Санкт-Петербург (812)309-46-40
Саратов (845)249-38-78
Севастополь (8692)22-31-93
Саранск (8342)22-96-24
Симферополь (3652)67-13-56
Смоленск (4812)29-41-54
Сочи (862)225-72-31
Ставрополь (8652)20-65-13
Сургут (3462)77-98-35
Сыктывкар (8212)25-95-17
Тамбов (4752)50-40-97
Тверь (4822)63-31-35

Тольятти (8482)63-91-07
Томск (3822)98-41-53
Тула (4872)33-79-87
Тюмень (3452)66-21-18
Ульяновск (8422)24-23-59
Улан-Удэ (3012)59-97-51
Уфа (347)229-48-12
Хабаровск (4212)92-98-04
Чебоксары (8352)28-53-07
Челябинск (351)202-03-61
Череповец (8202)49-02-64
Чита (3022)38-34-83
Якутск (4112)23-90-97
Ярославль (4852)69-52-93

Россия +7(495)268-04-70

Казахстан +7(7172)727-132

Киргизия +996(312)96-26-47

почта: pad@nt-rt.ru || сайт: <https://pestan.nt-rt.ru/>

Confluo **Frameless** Line

Main advantages:

- Minimum installation height – 62 mm
- Maximum flow rate – 48 l/min
- ALS – Anti-Leaking System
- Reversible grid – 2 in 1 system
- 360° rotatable self-cleaning S base
- Combined siphon – wet + dry

Dimensions: 300, 450, 550, 650, 750, 850, 950 mm

Grid Design





PEŠTAN

Drysiphon for linear drains with O-Ring included for extra protection against bad smells and insects when water evaporate from S base.

* Included in standard product.



Confluo Frameless styrofoam with dual role — Protection during the installation of the drain and benchmark for perfect leveling of ceramic.



CONFLUO FRAMELESS LINE

FRAMELESS 300 FRAMELESS 450 FRAMELESS 550 FRAMELESS 650 FRAMELESS 750 FRAMELESS 850 FRAMELESS 950

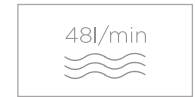


Legend:

1. Ultra low S Base
2. Height adjustment legs
3. Reducer with rubber ring
4. Grid holder
- 5.1 Grid for hair — flow rate 48l/min
- 5.2 Dry siphon — flow rate 26l/min
6. Grid
7. Protective styrofoam
8. Mapei waterproofing butyl tape



Min. installation height



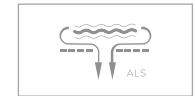
Maximum flow rate



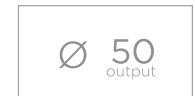
Self-cleaning base



Load class of grid



Anti-leaking system



Base diameter outlet



Base rotation



Water seal height



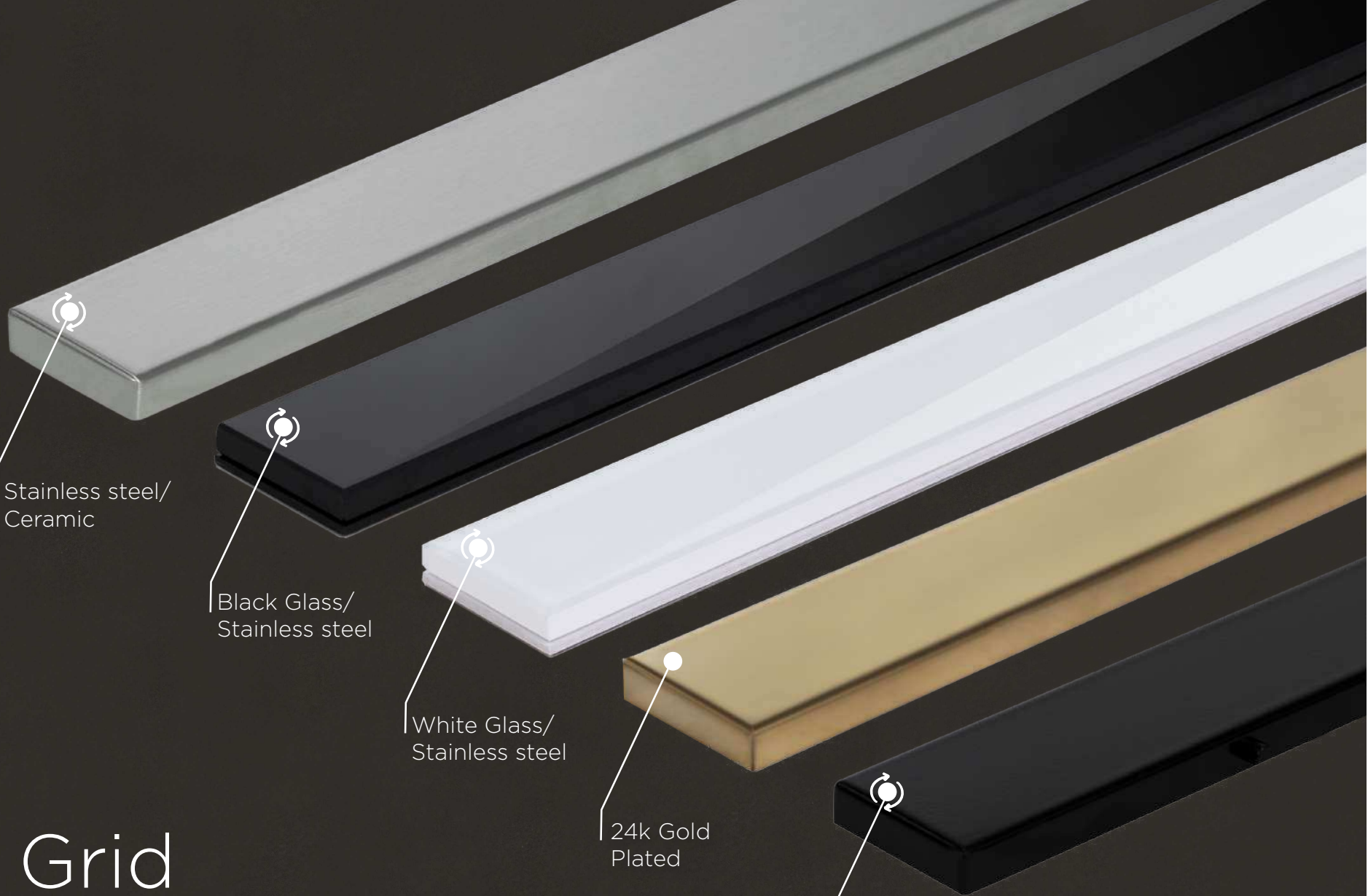
Material of grid

| 2 in 1 System

Stainless steel/Ceramic

Black Glass/Stainless steel





Stainless steel/
Ceramic

Black Glass/
Stainless steel

White Glass/
Stainless steel

24k Gold
Plated

Black matte/
Ceramic

Grid design options

Modern functionality

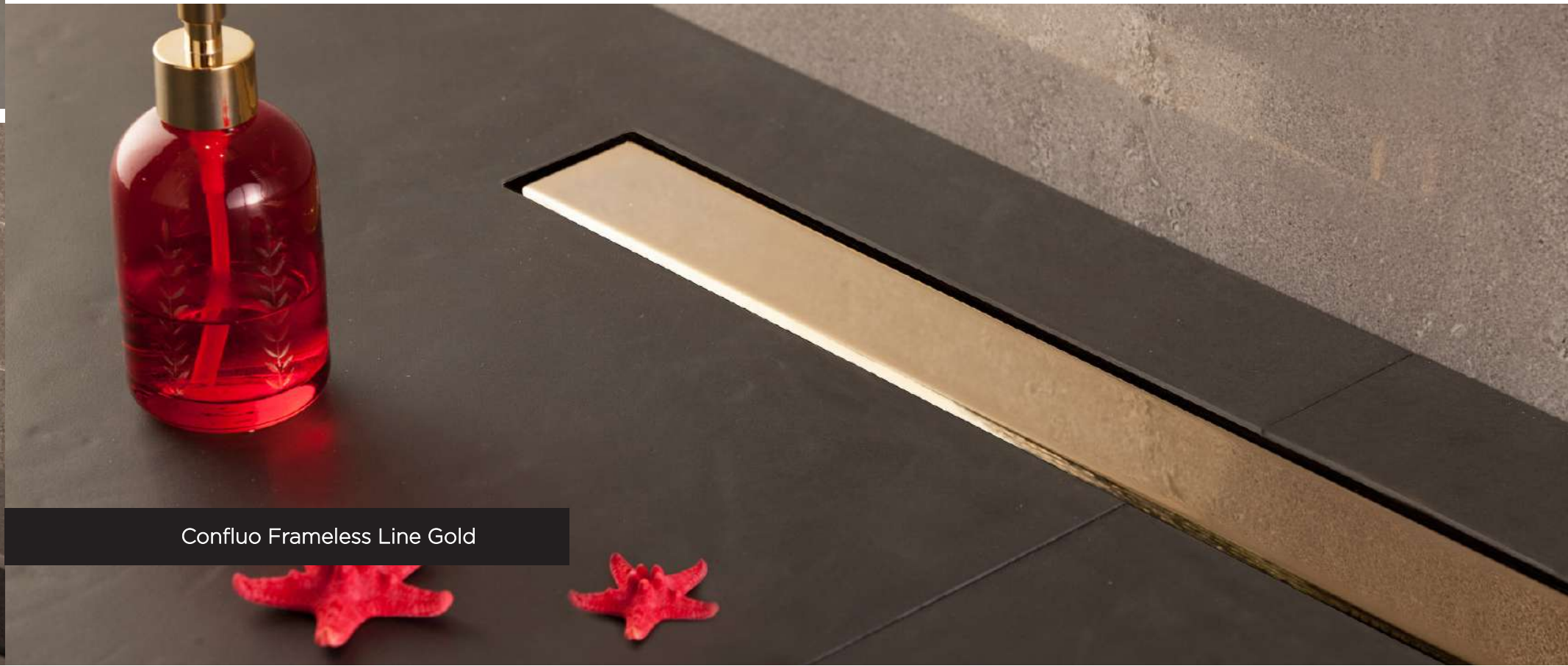
Confluo Frameless Line White Glass



Confluo Frameless Line Black Glass



Confluo Frameless Line Black Matte



Confluo Frameless Line Gold

| Minimalistic design





The Confluo FIX line of bathroom drain with a fixed base is characterized by ease of installation and maintenance. The drain size of 50 mm (DN50) allows the siphon to drain large amounts of water. The siphon is fixed to the sink body, which makes installation very simple. The drain is with a horizontal connection and size DN50mm, so no adapters are needed for connecting to the pipeline. By simply removing the siphon cover, cleaning and maintenance is very simple and affordable. High water flow ensures efficient drainage without water retention in the shower area. The low installation height makes the downspout flexible in terms of installation in renovated or new buildings. The 2in1 system allows the drain to fit perfectly into the design of modern bathrooms. Although the drain body and siphon are made of the highest quality ABS plastic, there are no visible plastic parts after installation. Metal grills and masks are made of high-quality stainless steel (SS304) available in Chrome, Matt Black and Copper finishes. The grids withstand the K3 load class





Confluo **Fix** Line

Main advantages:

- Minimum installation height – 64 mm
- Maximum flow rate – 48 l/min
- Reversible grid – 2 in 1 system
- Fixed siphon for drain body
- Without visible plastic parts

Dimensions: 450, 550, 650, 750 mm

Grid design:

Stainless Steel/
Ceramics

Black glass /
Stainless Steel

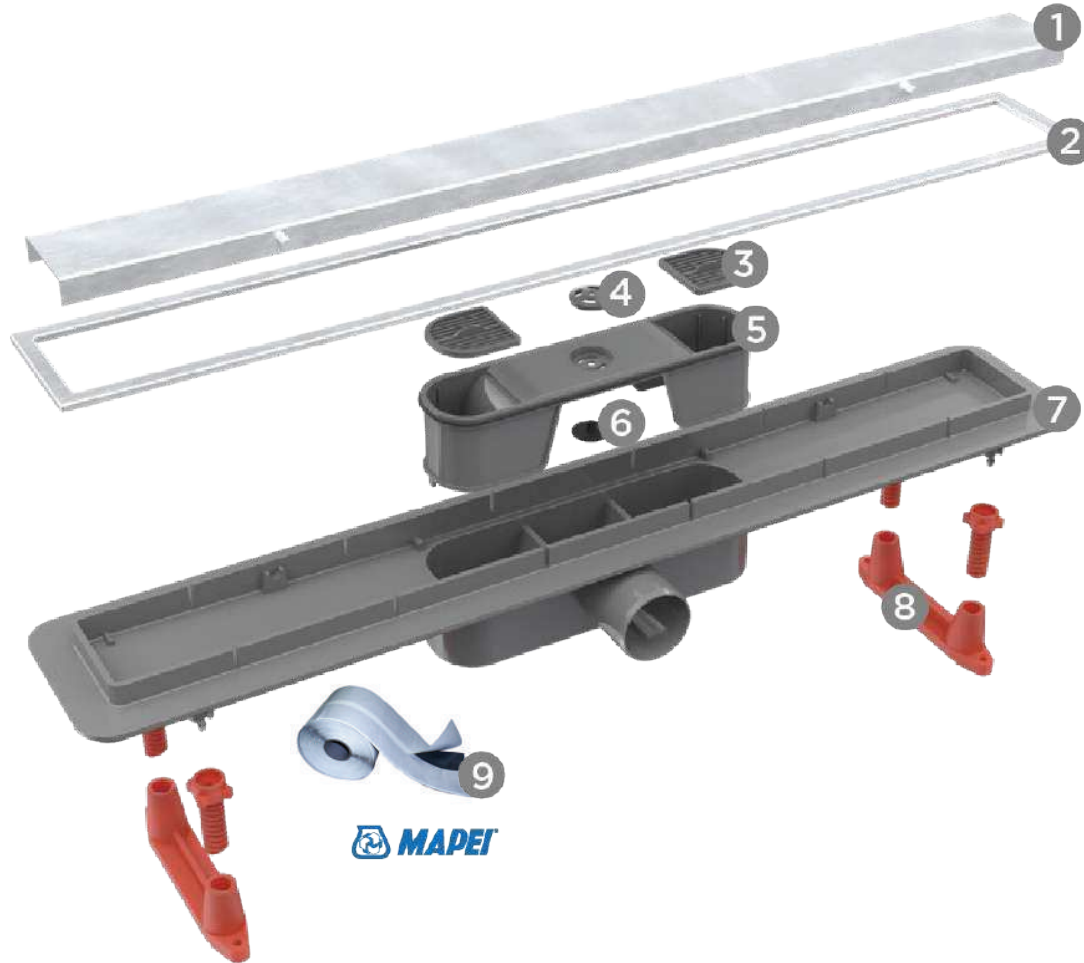
White Glass /
Stainless Steel



Silicone membrane, prevents the appearance of unpleasant smell thanks to the unique silicone solution membrane, which prevents the appearance of the negative pressure and disappearance of water from siphon.

Confluo **Fix** Line

Fix 450 Fix 550 Fix 650 Fix 750

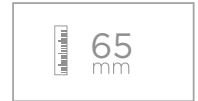


Legend:

1. Drain Grid
2. Grid mask
3. Grid for hair
4. Holder with membrane
5. Siphon with membrane
6. Silicone membrane
7. Grid holder with fixed base
8. Height adjustment legs
9. Mapei waterproof butyl tape



Fixed base



Min. installation height



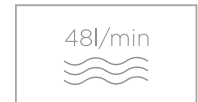
Water seal height



Anti-leaking system



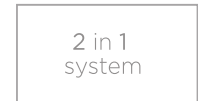
Anti vacuum system



Maximum flow rate



Material of grid



2 in 1 system



Handicapped accessible



Load class of grid



Base diameter outlet



Easy cleaning system



Confluo Slim Line is characterized by minimalist “Slim” design of stainless steel grid, which gives your bathroom a totally different and modern look. The model has the possibility of grid leveling from 5-20 mm, which allows various options when you choose your bathroom surface. Anti-Leaking System - ALS is also one of the main advantages of “Slim”, which is designed in the way that all the condensed and leaked water under the tiles can go back to the drain without any obstacles.

Confluo **Slim** Line

Main advantages:

- Minimum installation height — 72 mm
- ALS — Anti-Leaking System
- Unique and minimalist design of grid
- 360° rotatable self-cleaning S base
- Height adjustable grid — 5—20 mm

Dimensions: 300, 450, 550, 650, 750, 850, 950 mm

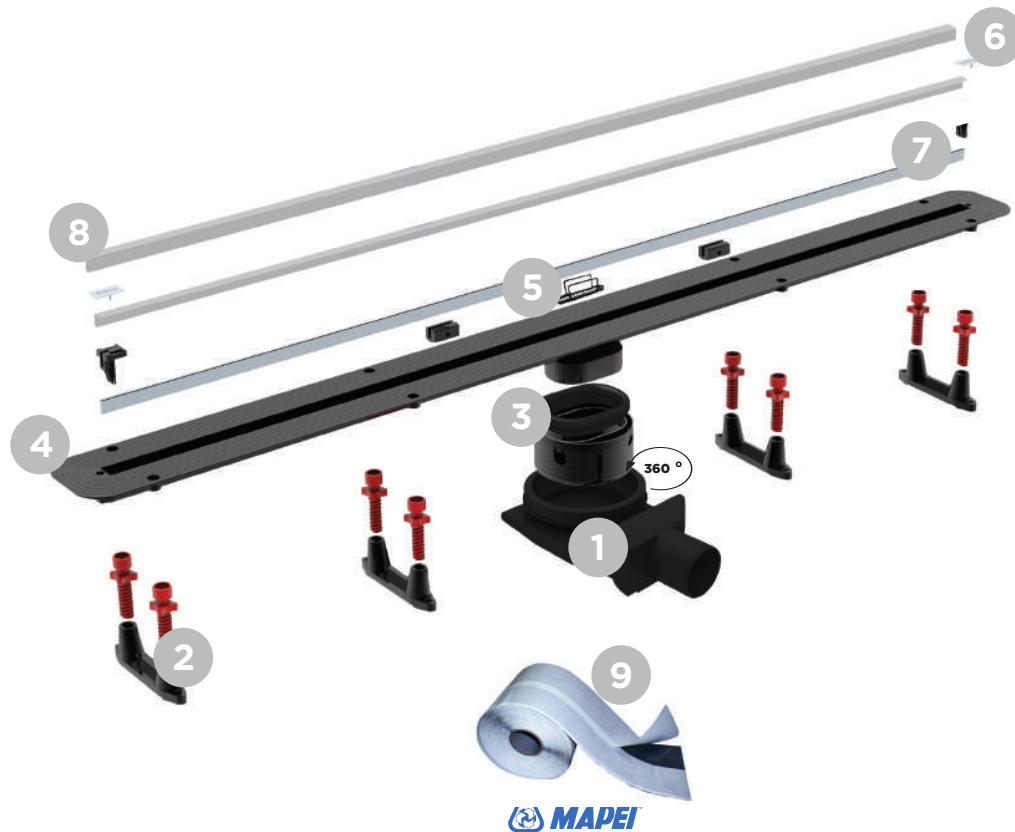
Grid Design

STAINLESS STEEL



CONFLUO SLIM LINE

Slim 300 Slim 450 Slim 550 Slim 650 Slim 750 Slim 850 Slim 950

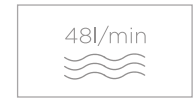


Legend:

1. Ultra low S Base
2. Height adjustment legs
3. Reducer with rubber ring
4. Holder of grid
5. Grid for hair
6. Decorative Plate
7. Grid
8. Aluminum profile for ceramic
9. Mapei waterproofing butyl tape



Min. installation height



Maximum flow rate



Self-cleaning base



Water seal height



Handicapped accessible



Anti-leaking system



Base diameter outlet



Fine ceramic adjustment



Base rotation



Confluo Wall Drain is an innovative concept in the shower drains industry. Possibility of positioning the drain into the wall instead of the floor gives your bathroom a huge number of possibilities, both technically and design-wise. The model has an Anti-Leaking System - ALS, superior flow rate of 48 l/min, the minimum installation height of 56 mm, and installation depth of 80 mm, which makes this model perfect for bathrooms with concealed cisterns and renovation projects with limited space.

Confluo **Wall** drain

Main advantages:

- Minimum installation height – 56 mm
- Maximum flow rate – 48 l/min
- ALS – Anti-Leaking System
- 360° rotatable self-cleaning S base
- Perfect model for renovations
and bathrooms with concealed cistern

Dimensions: 300 mm

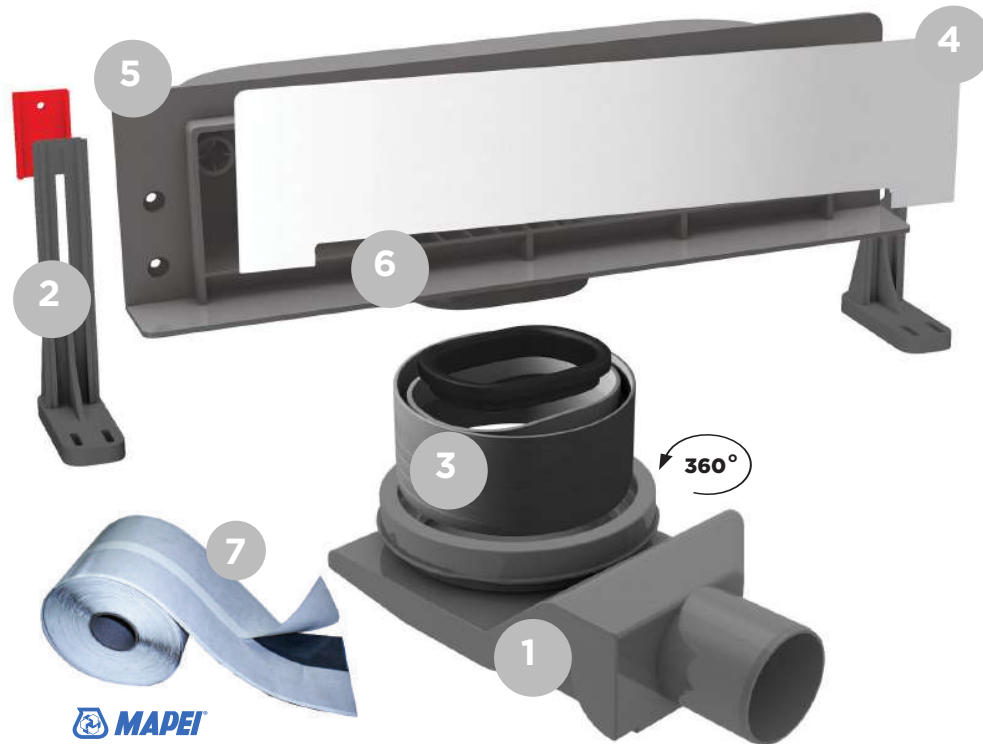
Grid Design

Stainless steel

24k GOLD PLATED

CONFLUO WALL DRAIN

WALL 300

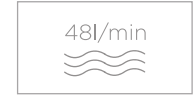


Legend:

1. Ultra low S Base
2. Height adjustment legs
3. Reducer with rubber ring
4. Grid
5. Grid holder
6. ALS chambers
7. Mapei waterproofing butyl tape



Min. installation height



Maximum flow rate



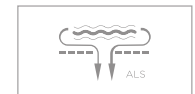
Self-cleaning base



Water seal height



Handicapped accessible



Anti-leaking system



Base diameter outlet



Base rotation

По вопросам продаж и поддержки обращайтесь:

Алматы (7273)495-231
Ангарск (3955)60-70-56
Архангельск (8182)63-90-72
Астрахань (8512)99-46-04
Барнаул (3852)73-04-60
Белгород (4722)40-23-64
Благовещенск (4162)22-76-07
Брянск (4832)59-03-52
Владивосток (423)249-28-31
Владикавказ (8672)28-90-48
Владимир (4922)49-43-18
Волгоград (844)278-03-48
Вологда (8172)26-41-59
Воронеж (473)204-51-73
Екатеринбург (343)384-55-89

Иваново (4932)77-34-06
Ижевск (3412)26-03-58
Иркутск (395)279-98-46
Казань (843)206-01-48
Калининград (4012)72-03-81
Калуга (4842)92-23-67
Кемерово (3842)65-04-62
Киров (8332)68-02-04
Коломна (4966)23-41-49
Кострома (4942)77-07-48
Краснодар (861)203-40-90
Красноярск (391)204-63-61
Курск (4712)77-13-04
Курган (3522)50-90-47
Липецк (4742)52-20-81

Магнитогорск (3519)55-03-13
Москва (495)268-04-70
Мурманск (8152)59-64-93
Набережные Челны (8552)20-53-41
Нижегород (831)429-08-12
Новокузнецк (3843)20-46-81
Ноябрьск (3496)41-32-12
Новосибирск (383)227-86-73
Омск (3812)21-46-40
Орел (4862)44-53-42
Оренбург (3532)37-68-04
Пенза (8412)22-31-16
Петрозаводск (8142)55-98-37
Псков (8112)59-10-37
Пермь (342)205-81-47

Ростов-на-Дону (863)308-18-15
Рязань (4912)46-61-64
Самара (846)206-03-16
Санкт-Петербург (812)309-46-40
Саратов (845)249-38-78
Севастополь (8692)22-31-93
Саранск (8342)22-96-24
Симферополь (3652)67-13-56
Смоленск (4812)29-41-54
Сочи (862)225-72-31
Ставрополь (8652)20-65-13
Сургут (3462)77-98-35
Сыктывкар (8212)25-95-17
Тамбов (4752)50-40-97
Тверь (4822)63-31-35

Тольятти (8482)63-91-07
Томск (3822)98-41-53
Тула (4872)33-79-87
Тюмень (3452)66-21-18
Ульяновск (8422)24-23-59
Улан-Удэ (3012)59-97-51
Уфа (347)229-48-12
Хабаровск (4212)92-98-04
Чебоксары (8352)28-53-07
Челябинск (351)202-03-61
Череповец (8202)49-02-64
Чита (3022)38-34-83
Якутск (4112)23-90-97
Ярославль (4852)69-52-93

Россия +7(495)268-04-70

Казахстан +7(7172)727-132

Киргизия +996(312)96-26-47

почта: pad@nt-rt.ru || сайт: <https://pestan.nt-rt.ru/>